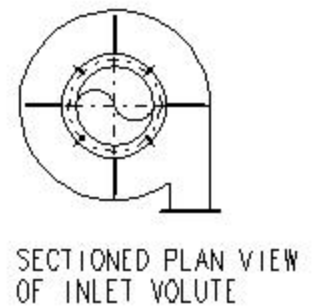
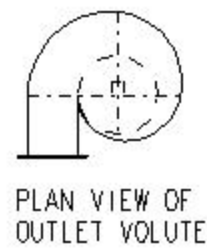
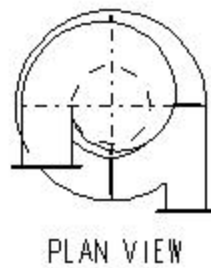
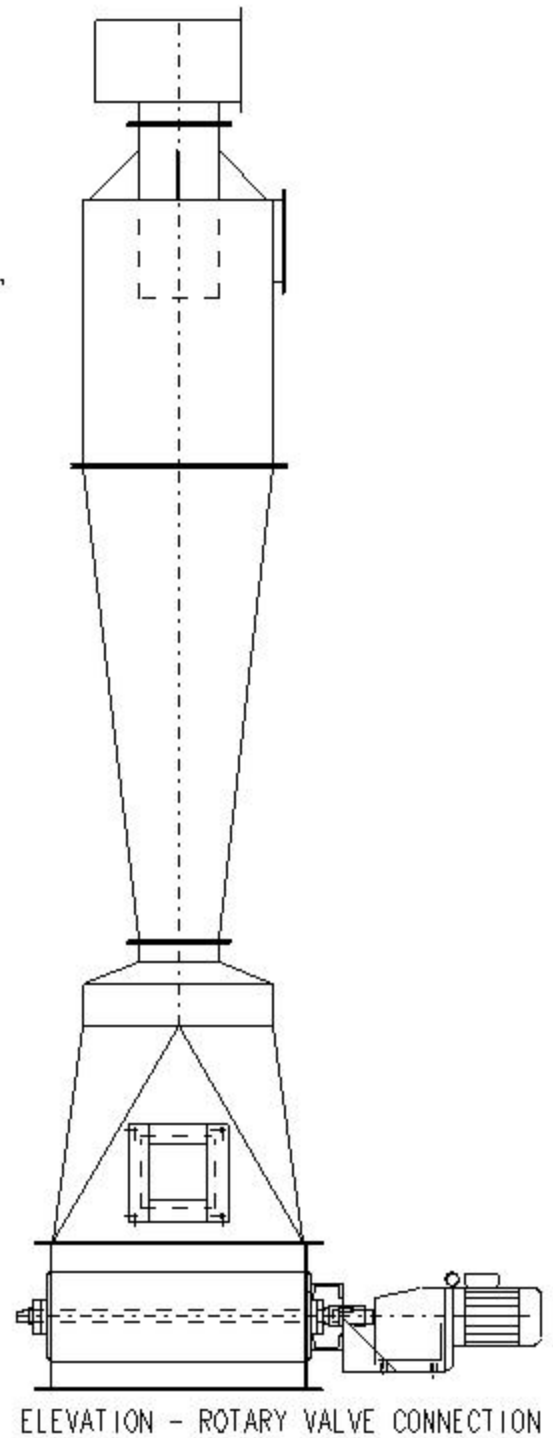
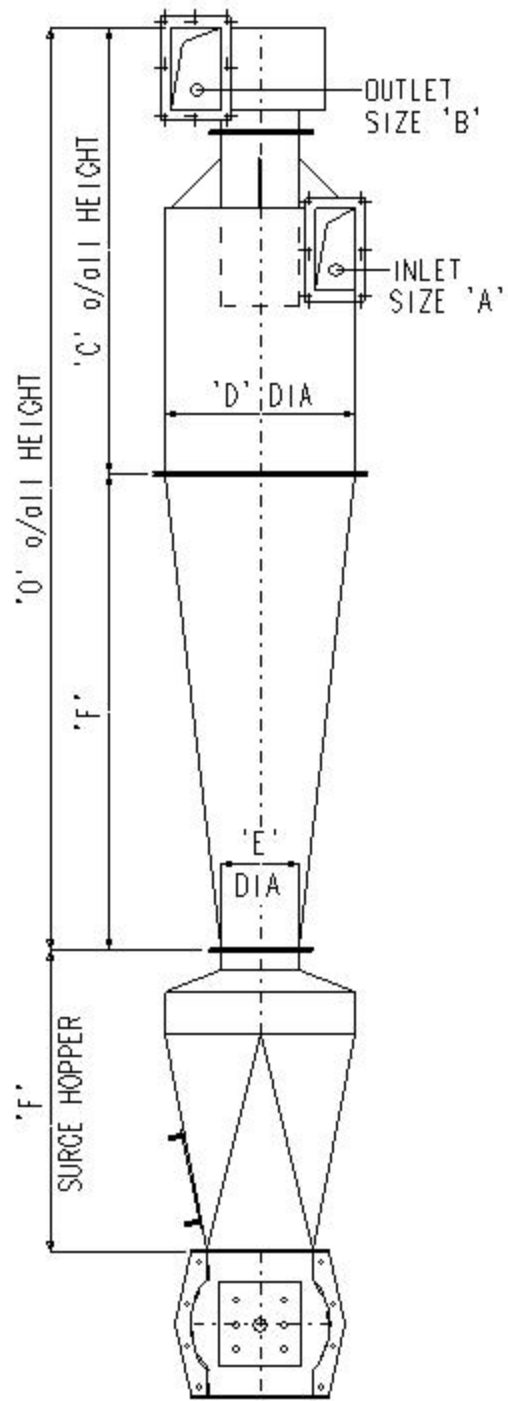
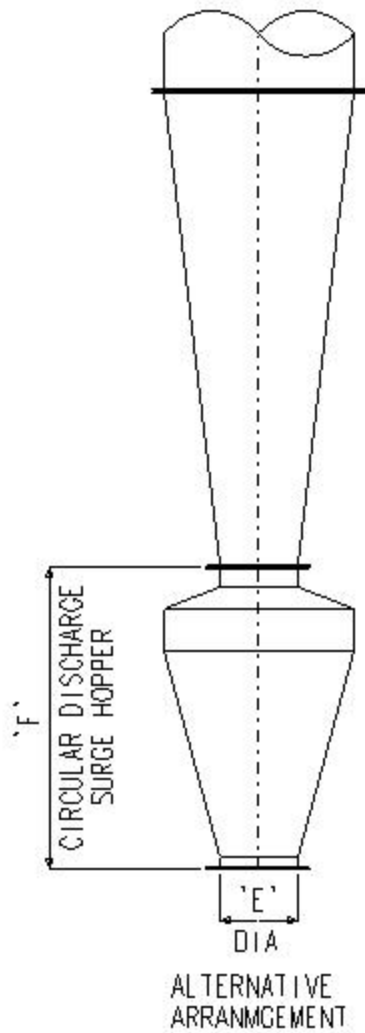


UNIT SIZE	VOLUME	DIM D"	mm	DIM O"	mm	OUTLET B"	mm	OUTLET B"	mm	INLET A"	mm	INLET A"	mm
1 H	600 CFM	18	457	87 3/8	2219	7 7/8	200	4 3/4	121	7 7/8	200	3 3/4	95
2 H	800 CFM	21	533	110 3/8	2804	9 1/4	235	5 1/2	140	9 1/4	235	4 3/8	111
3 H	1100 CFM	24	610	115	2921	10	254	6 1/4	159	10	254	5	127
4 H	1400 CFM	27	686	121 8/75	3076	11 3/8	289	7	178	11 3/8	289	5 5/8	143
5 H	1700 CFM	30	762	143 1/2	3645	12 1/2	318	7 7/8	200	12 1/2	318	6 1/4	159
6 H	2000 CFM	33	838	158 3/8	4023	13 7/8	352	8 7/8	225	13 7/8	352	6 7/8	175
7 H	2500 CFM	36	914	173 5/8	4410	15 7/8	403	9 3/8	238	15 7/8	403	7 1/2	191
8 H	2800 CFM	39	991	186 1/2	4737	16 3/8	416	10 1/8	257	16 3/8	416	8 1/8	206
9 H	3300 CFM	42	1067	200 7/8	5102	17 1/2	445	11 9/16	294	17 1/2	445	9 1/4	235
10H	3800 CFM	45	1143	215	5461	18	457	11 7/8	302	18	457	9 1/2	241
11H	4300 CFM	48	1219	229 3/4	5836	19 1/4	489	13 7/16	341	19 1/4	489	10 3/4	273
12H	4700 CFM	50	1270	235 7/8	5991	21 1/16	535	13 1/4	337	20 1/16	510	10 5/8	270

3.5 " Water Guage loss through cyclone only .

High Efficiency Cyclone Sizing Chart



'H' TYPE HIGH EFFICIENCY CYCLONES