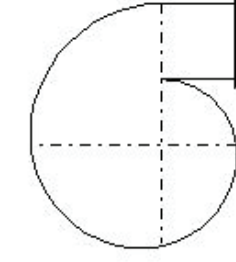
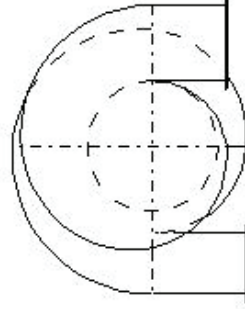
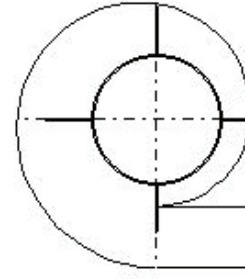
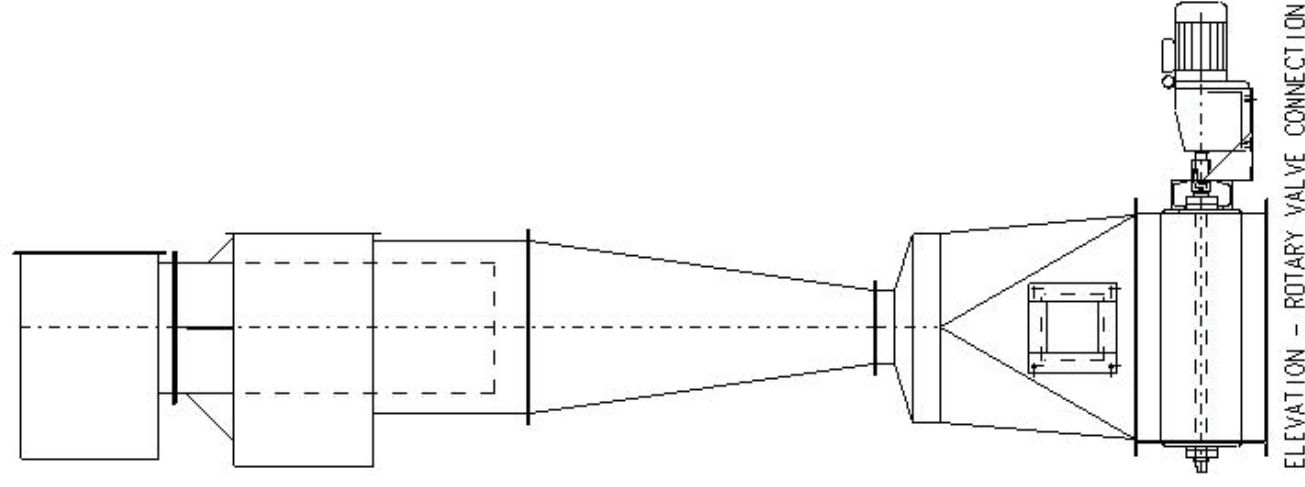
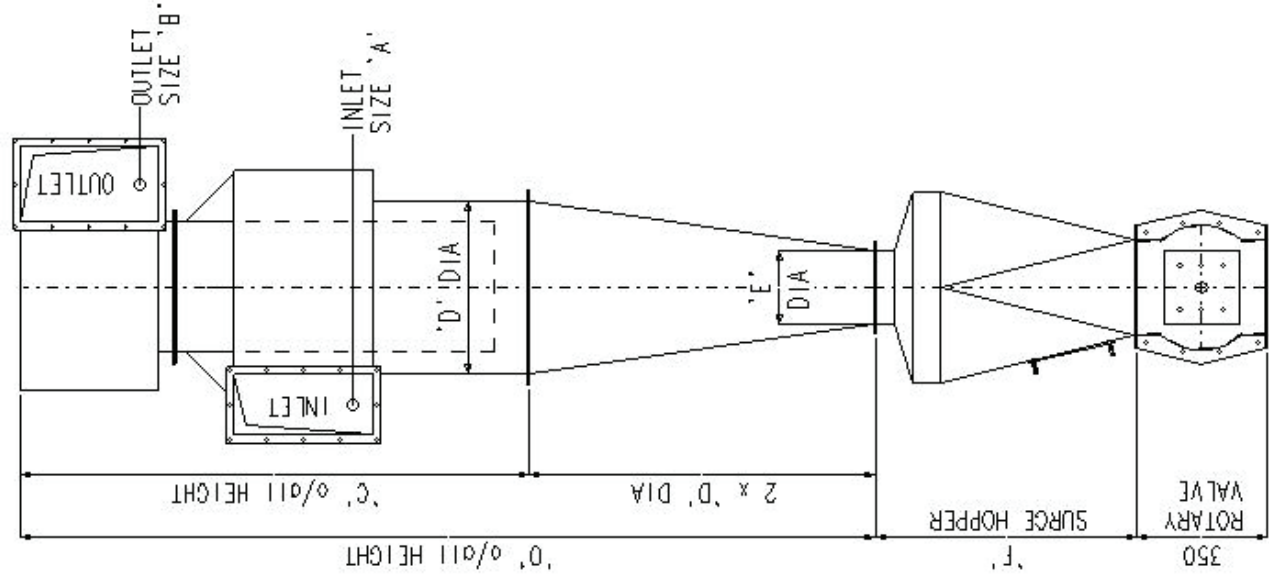


UNIT SIZE	VOLUME	DIM D"	mm	DIM O"	mm	OUTLET B"	mm	OUTLET B"	mm	INLET A"	mm	INLET A"	mm
1M	1550 CFM	18	457	91 1/8	2315	14 3/8	365	7 7/8	200	14 3/8	365	6 1/4	159
2M	2100 CFM	21	533	105 7/8	2689	16 3/4	425	9 1/4	235	16 3/4	425	7 3/8	187
3M	2750 CFM	24	610	120 1/2	3061	19 1/4	489	10 1/2	267	19 1/4	489	8 3/8	213
4M	3500 CFM	27	686	135 7/8	3451	21 5/8	549	11 7/8	302	21 5/8	549	9 1/2	241
5M	4300 CFM	30	762	150	3810	24	610	13 1/8	333	24	610	10 1/2	267
6M	5200 CFM	33	838	165 5/8	4207	26 3/8	670	15 3/8	391	26 3/8	670	11 1/2	292
7M	6200 CFM	36	914	180 3/8	4582	28 3/4	730	15 7/8	403	28 3/4	730	12 5/8	321
8M	7250 CFM	39	991	195	4953	31 1/4	794	17 1/8	435	31 1/4	794	13 5/8	346
9M	8400 CFM	42	1067	210 1/8	5337	33 5/8	854	18 3/8	467	33 5/8	854	14 5/8	371
10M	9650 CFM	45	1143	224 1/2	5702	36	914	19 5/8	498	36	914	15 5/8	397
11M	11000 CFM	48	1219	239 5/8	6086	38 3/8	975	21	533	38 3/8	975		

1.75 " Water Guage Loss Through Cyclone Only

Medium Efficiency sizing chart



SECTIONED PLAN VIEW OF INLET VOLUTE

PLAN VIEW

PLAN VIEW OF OUTLET VOLUTE

'M' TYPE HIGH THROUGHPUT CYCLONES

