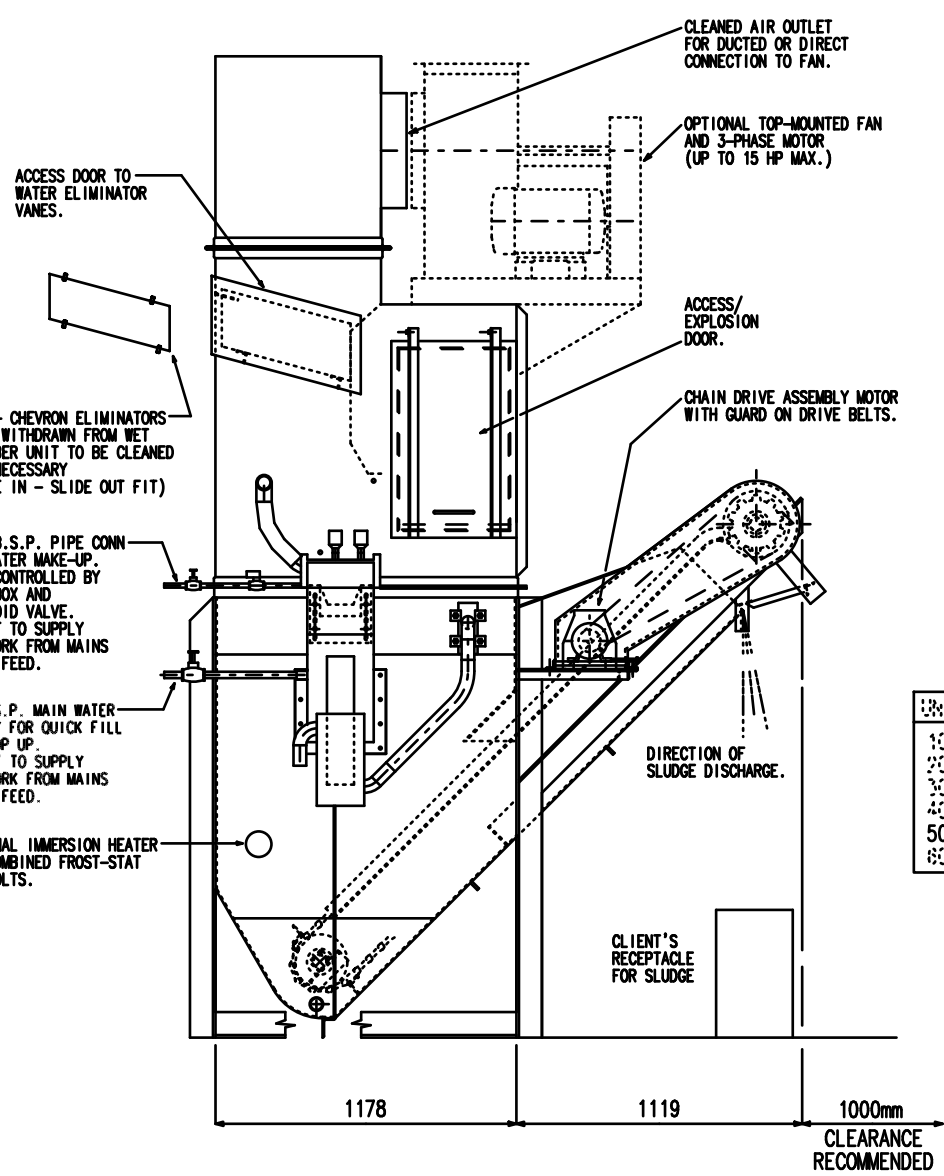


FRONT ELEVATION OF WET COLLECTOR



SIDE ELEVATION OF WET COLLECTOR

NOTE! - CHEVRON ELIMINATORS TO BE WITHDRAWN FROM WET SCRUBBER UNIT TO BE CLEANED WHEN NECESSARY (SLIDE IN - SLIDE OUT FIT)

1/2" B.S.P. PIPE CONN FOR WATER MAKE-UP. FLOW CONTROLLED BY WATERBOX AND SOLENOID VALVE. CLIENT TO SUPPLY PIPEWORK FROM MAINS WATER FEED.

1" B.S.P. MAIN WATER SUPPLY FOR QUICK FILL AND TOP UP. CLIENT TO SUPPLY PIPEWORK FROM MAINS WATER FEED.

OPTIONAL IMMERSION HEATER AND COMBINED FROST-STAT 240 VOLTS.

UNIT DUTY	Dim 'A'	Dim 'B'
1000 CFM	610	610
2000 CFM	610	610
3000 CFM	914	798
4000 CFM	1220	798
5000 CFM	1524	798
6000 CFM	1830	798

**GENERAL ARRANGEMENT
OF 1000 TO 6000 CFM DUTY
WET COLLECTOR UNITS
WITH AUTO DESLUDGE FACILITY**

DUSTAIR LIMITED
ENGINEERS IN DUST AND FUME CONTROL
UNIT 13, PEDMORE IND. ESTATE, PEDMORE ROAD, BRIERLEY HILL, WEST MID'S, DY5 1TJ
TELEPHONE +44(0)1384 76662 / 77716. FAX +44(0)1384 77227.
E-MAIL: SALES@DUSTAIR.CO.UK WEB SITE: WWW.DUSTAIR.CO.UK

THIS DRAWING IS THE PROPERTY OF DUSTAIR LTD AND IS NOT TO BE COMMUNICATED TO ANY OTHER PERSONS WITHOUT THE CONSENT OF DUSTAIR LTD.

DATE	CUSTOMER	SIGNED

DRG. No. **WET-AD-1K6K**

DRN.	R.C.
DATE.	16-11-09
SCALE	N.T.S.
W/O No.	