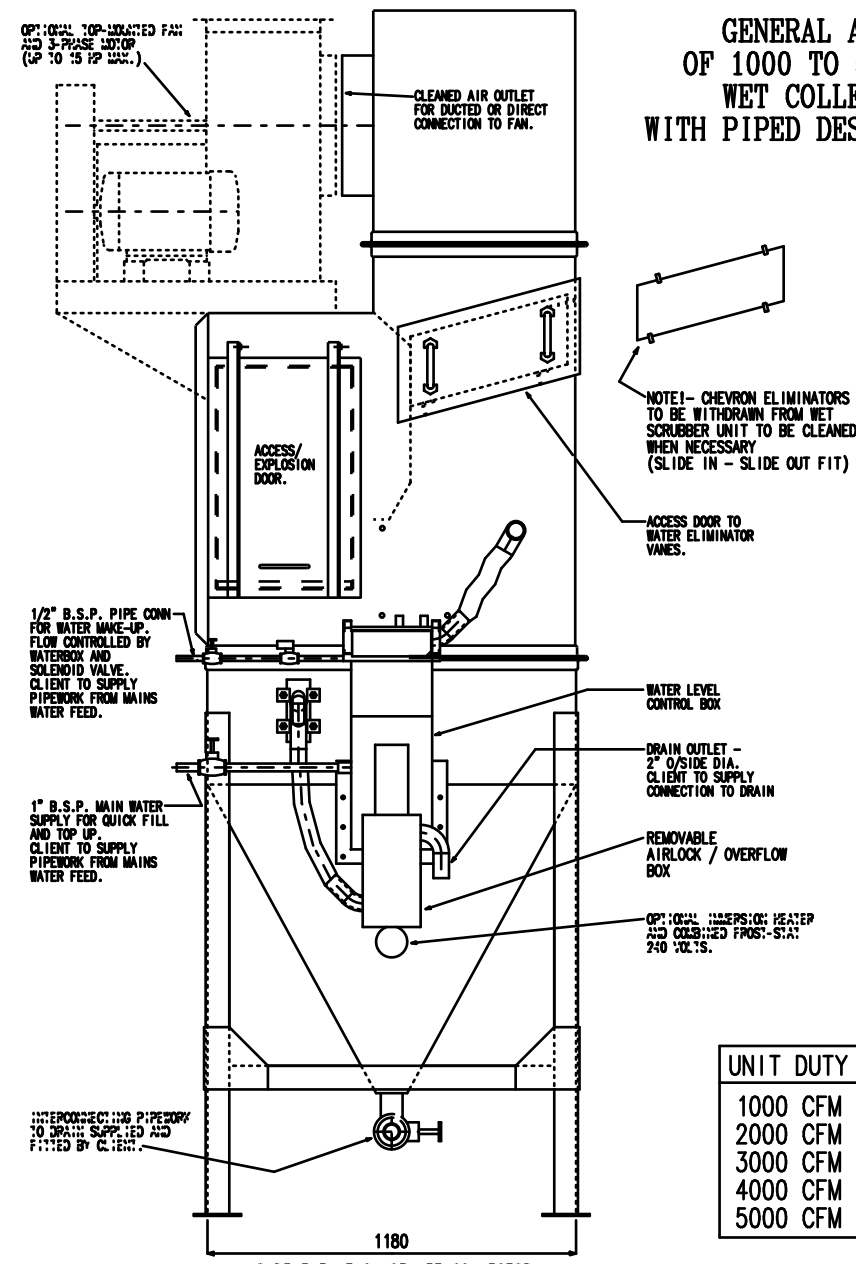


FRONT ELEVATION OF WET COLLECTOR



SIDE ELEVATION OF WET COLLECTOR

**GENERAL ARRANGEMENT  
OF 1000 TO 5000 CFM DUTY  
WET COLLECTOR UNITS  
WITH PIPED DESLUDGE FACILITY**

NOTE:- CHEVRON ELIMINATORS TO BE WITHDRAWN FROM WET SCRUBBER UNIT TO BE CLEANED WHEN NECESSARY (SLIDE IN - SLIDE OUT FIT)

UNIT DUTY	DIMENSION 'A'
1000 CFM	610
2000 CFM	610
3000 CFM	914
4000 CFM	1220
5000 CFM	1524

**DUSTAIR LIMITED**  
**ENGINEERS IN DUST AND FUME CONTROL**  
 UNIT 13, PEDMORE IND. ESTATE, PEDMORE ROAD, BRIERLEY HILL, WEST MID'S, DY5 1TJ  
 TELEPHONE +44(0)1384 76662 / 77716. FAX +44(0)1384 77227.  
 E-MAIL: SALES@DUSTAIR.CO.UK WEB SITE: WWW.DUSTAIR.CO.UK

THIS DRAWING IS THE PROPERTY OF DUSTAIR LTD AND IS NOT TO BE COMMUNICATED TO ANY OTHER PERSONS WITHOUT THE CONSENT OF DUSTAIR LTD.

DATE	CUSTOMER	SIGNED

**DRG. WET-PD-1K5K**

DRN.	
DATE.	NOV. 2009
SCALE	N.T.S.
W/O No.	