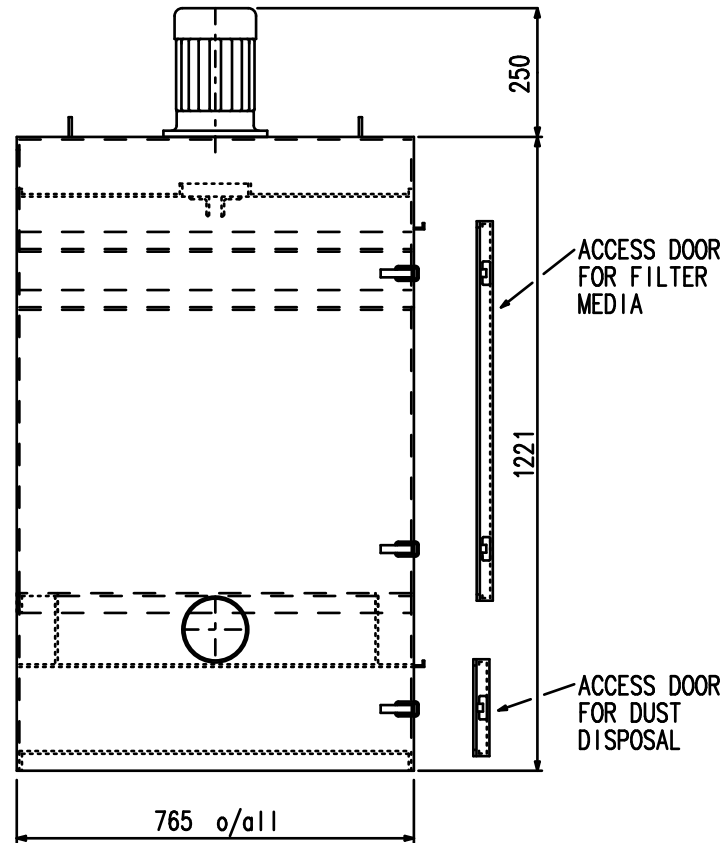
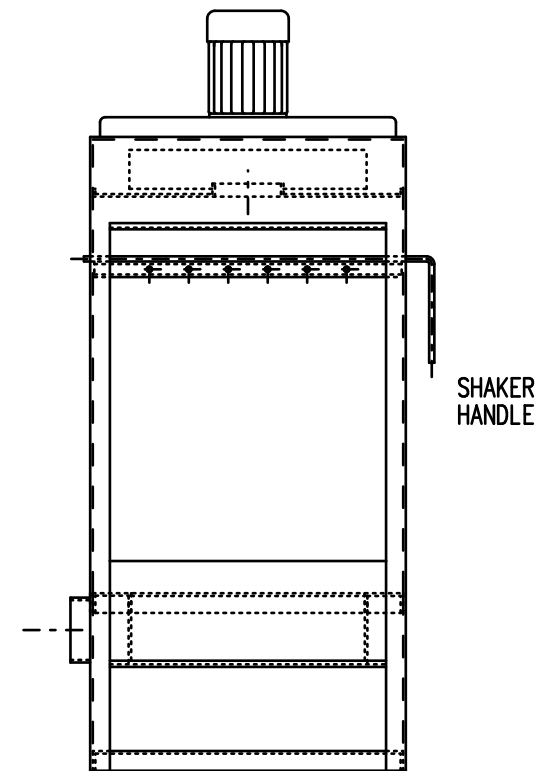


AUTO-SHAKE
OPTION



SIDE ELEVATION



HAND-SHAKE
OPTION

SIZE 50
ENVELOPE FILTER
GENERAL ARRANGEMENT

DUSTAIR LIMITED

ENGINEERS IN DUST AND FUME CONTROL

UNIT 13, PEDMORE IND. ESTATE, PEDMORE ROAD, BRIERLEY HILL, WEST MIDS, DY5 1TJ
TELEPHONE (01384) 76662. FAX (01384) 77227. E-MAIL: SALES@DUSTAIR.CO.UK

THIS DRAWING IS THE PROPERTY OF
DUSTAIR LTD
AND IS NOT TO BE COMMUNICATED TO
ANY OTHER PERSONS WITHOUT THE
CONSENT OF DUSTAIR LTD.

DATE	CUSTOMER	SIGNED

DRG. No.

DRN.	
DATE.	17-03-00
SCALE	1:15
W/O No.	