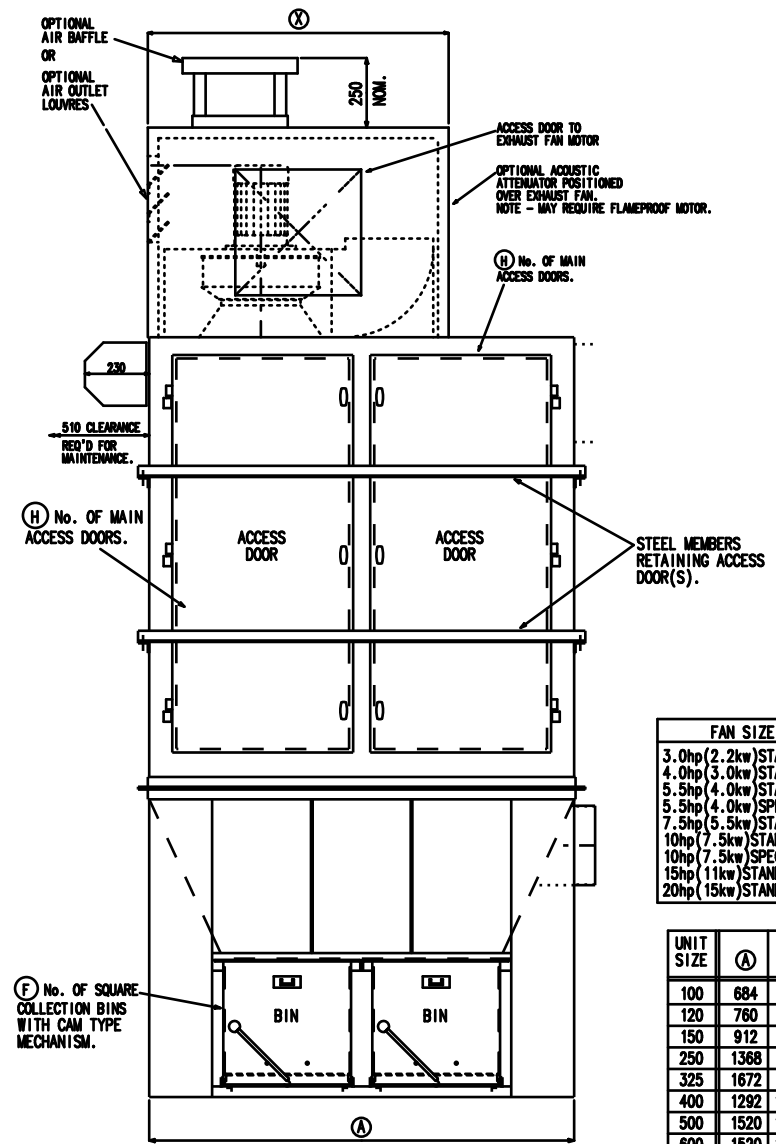


VIEW ON REAR OF UNIT

END ELEVATION



FRONT ELEVATION

FAN SIZE	DIM 'X'	DIM 'Y'	DIM 'Z'
3.0hp (2.2kw) STANDARD	968	763	655
4.0hp (3.0kw) STANDARD	968	763	715
5.5hp (4.0kw) STANDARD	968	763	780
5.5hp (4.0kw) SPECIAL	1069	968	785
7.5hp (5.5kw) STANDARD	1255	1069	890
10hp (7.5kw) STANDARD	1255	1069	910
10hp (7.5kw) SPECIAL	1255	1069	925
15hp (11kw) STANDARD	1308	1222	1020
20hp (15kw) STANDARD	1469	1222	1070

UNIT SIZE	(A)	(B)	(C)	(D)	(E)	(F)	(G)	(H)
100	684	965	1105	1104	2209	1	620	1
120	760	965	1105	1104	2209	1	620	1
150	912	965	1105	1104	2209	1	775	1
250	1368	965	1105	1104	2209	2	1230	1
325	1672	965	1105	1104	2209	3	1535	1
400	1292	1066	1105	1613	2718	2	1155	1
500	1520	1066	1105	1613	2718	2	675	2
600	1520	1219	1105	1613	2718	2	675	2
700	1982	1219	1105	1613	2718	3	855	2
800	2134	1219	1105	1613	2718	3	930	2
900	2438	1219	1105	1613	2718	4	1080	2
1000	2438	1219	1105	1715	2820	4	1080	2
1150	2742	1219	1105	1715	2820	5	1230	2

G.A. OF TYPICAL ENVELOPE FILTER UNITS FOR EXPLOSIVE DUSTS

DUSTAIR LIMITED
 ENGINEERS IN DUST AND FUME CONTROL
 UNIT 13, PEDMORE INDUSTRIAL ESTATE, PEDMORE ROAD, BRIERLEY HILL,
 WEST MIDLANDS, DY5 1TJ. TELEPHONE (01384) 76662. FAX (01384) 77227.
 E-MAIL: SALES@DUSTAIR.CO.UK WEB SITE: WWW.DUSTAIR.CO.UK

THIS DRAWING IS THE PROPERTY OF
 DUSTAIR LIMITED
 AND IS NOT TO BE COMMUNICATED TO
 ANY OTHER PERSONS WITHOUT THE
 CONSENT OF DUSTAIR LIMITED

DATE	CUSTOMER	SIGNED

DRG. No. E-ALL-GA-EXP

DRN.	DATE.	SCALE
	14-01-02	N.T.S.

W/O No.