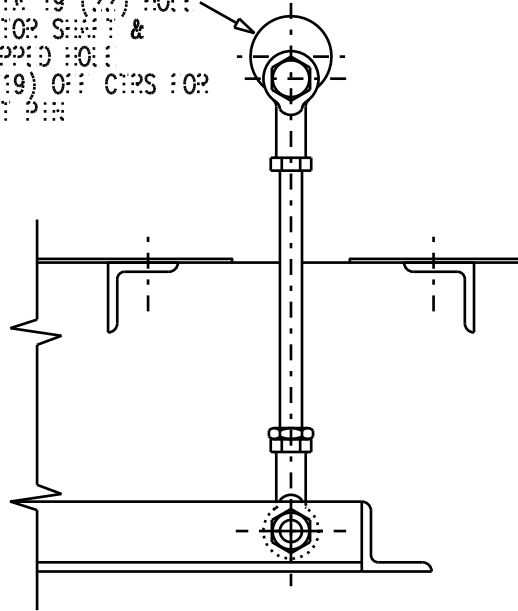
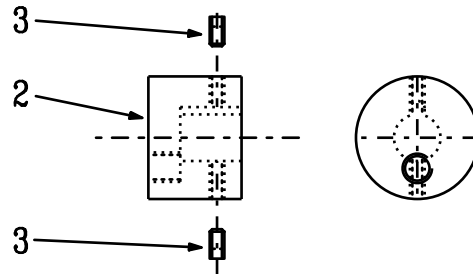


SECTIONED END ELEVATION

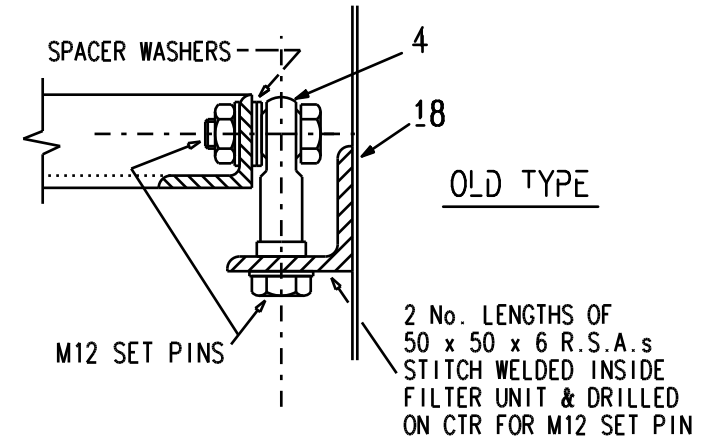
MACH'D BOSS (OLD DIM'S BRACKETED)
 50 (68) o/dia BOSS
 WITH DIA 19 (22) HOLE
 FOR MOTOR SHAFT &
 DIA 12 TAPPED HOLE
 12.5 (19) OFF CTRS FOR
 M12 SET PIN



SECTIONED ELEVATION

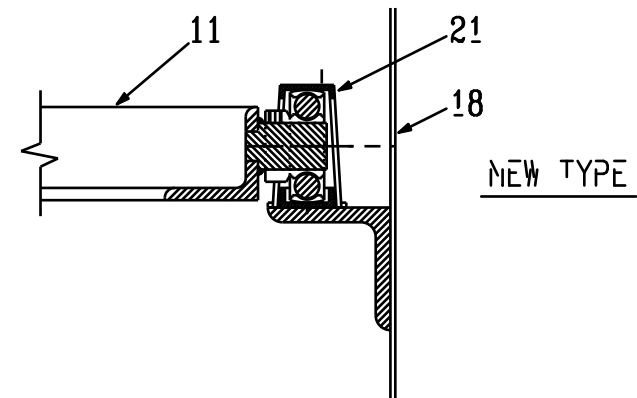


50mm o/dia BOSS
 WITH DIA 19mm HOLE
 FOR MOTOR SHAFT &
 DIA 12 mm TAPPED HOLE
 12.5mm OFF CTRS FOR
 M12 SET PIN



OLD TYPE

DETAIL OF 'OLD' SHAKER FRAME
 END SUPPORT. 2 No. OFF REQD
 1 No. OFF AS DRAWN
 1 No. OFF OPPOSITE HAND



NEW TYPE

DETAIL OF 'NEW' SHAKER FRAME
 END SUPPORT. 2 No. OFF REQD
 1 No. OFF AS DRAWN
 1 No. OFF OPPOSITE HAND

SHAKER FIXINGS/COMPONENTS (UNITS 600+)

Note - Ensure all locknuts secured
 and all locking screws fitted.

SEE ALSO DRG. No. SLGA-2

DUSTAIR LIMITED

ENGINEERS IN DUST AND FUME CONTROL

UNIT 13, PEDMORE IND. ESTATE, PEDMORE ROAD, BRIERLEY HILL, WEST MID'S, DY5 1TJ
 TELEPHONE +44(0)1384 76662 / 77716. FAX +44(0)1384 77227.
 E-MAIL: SALES@DUSTAIR.CO.UK WEB SITE: WWW.DUSTAIR.CO.UK

THIS DRAWING IS THE PROPERTY OF
 DUSTAIR LTD
 AND IS NOT TO BE COMMUNICATED TO
 ANY OTHER PERSONS WITHOUT THE
 CONSENT OF DUSTAIR LTD.

DATE	CUSTOMER	SIGNED

DRG. No. **SLGA-1**

DRN.	R.C.
DATE.	JUNE 2009
SCALE	N.T.S.
W/O No.	